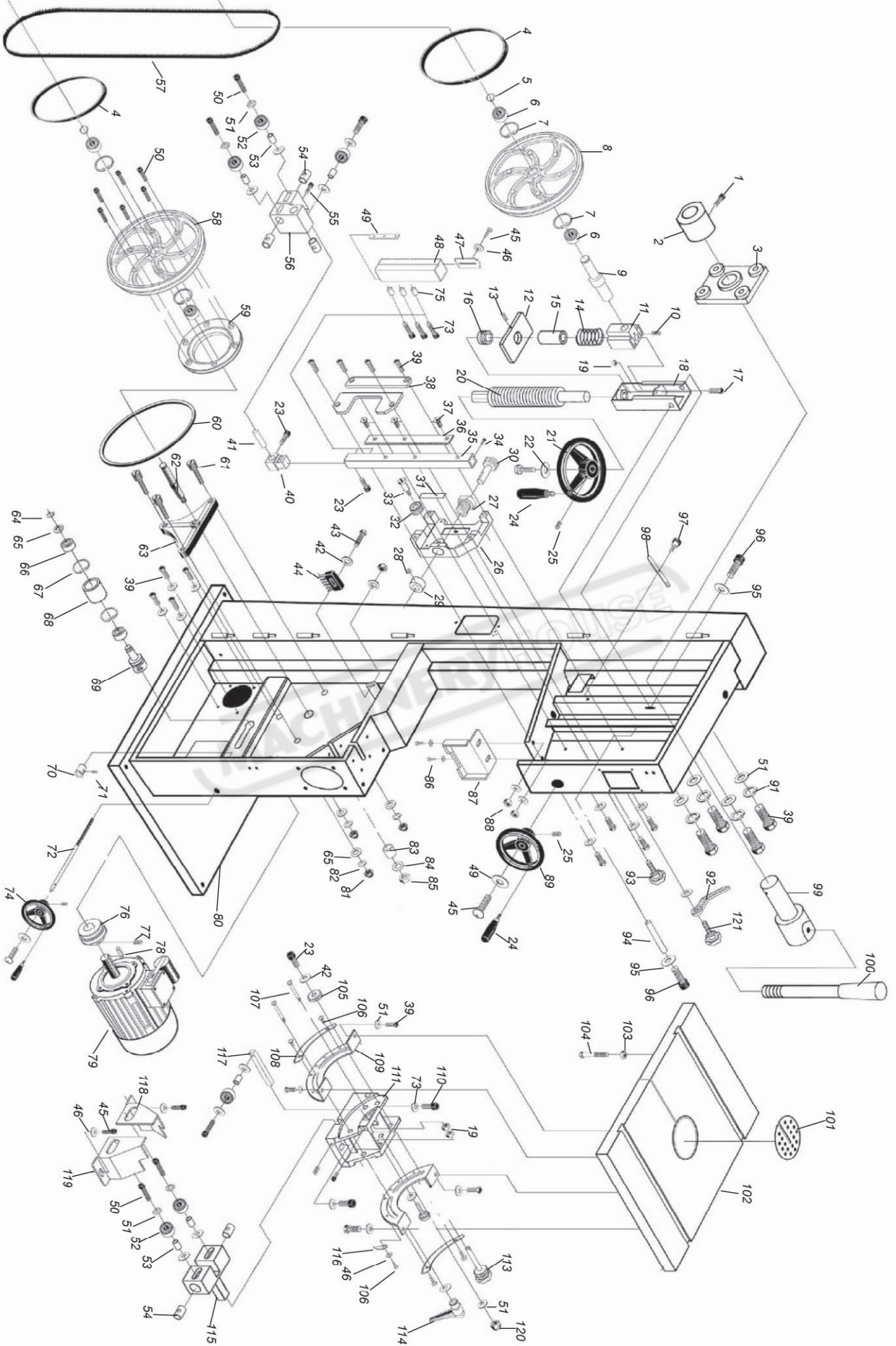
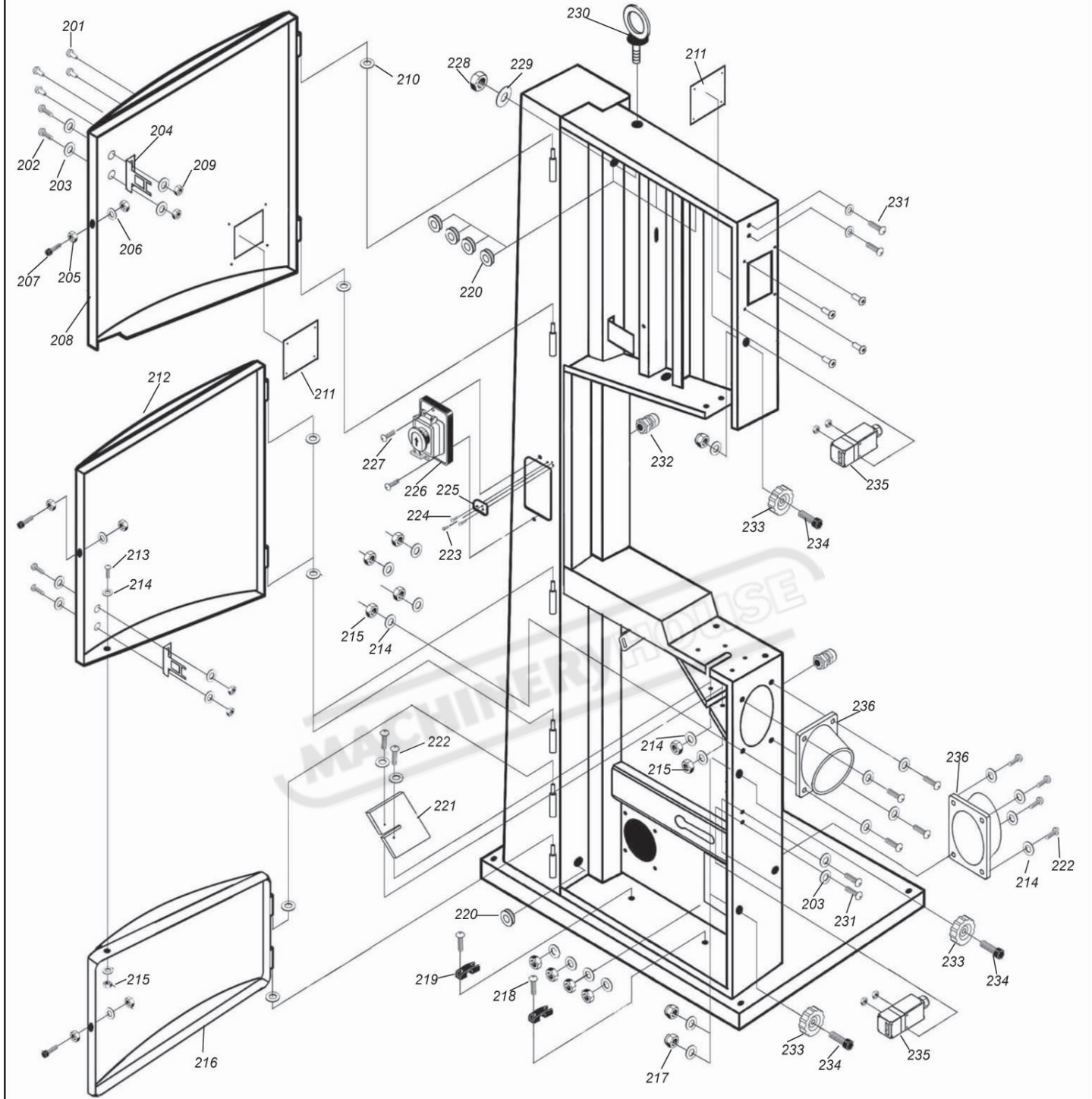


12 Diagram & Partslist

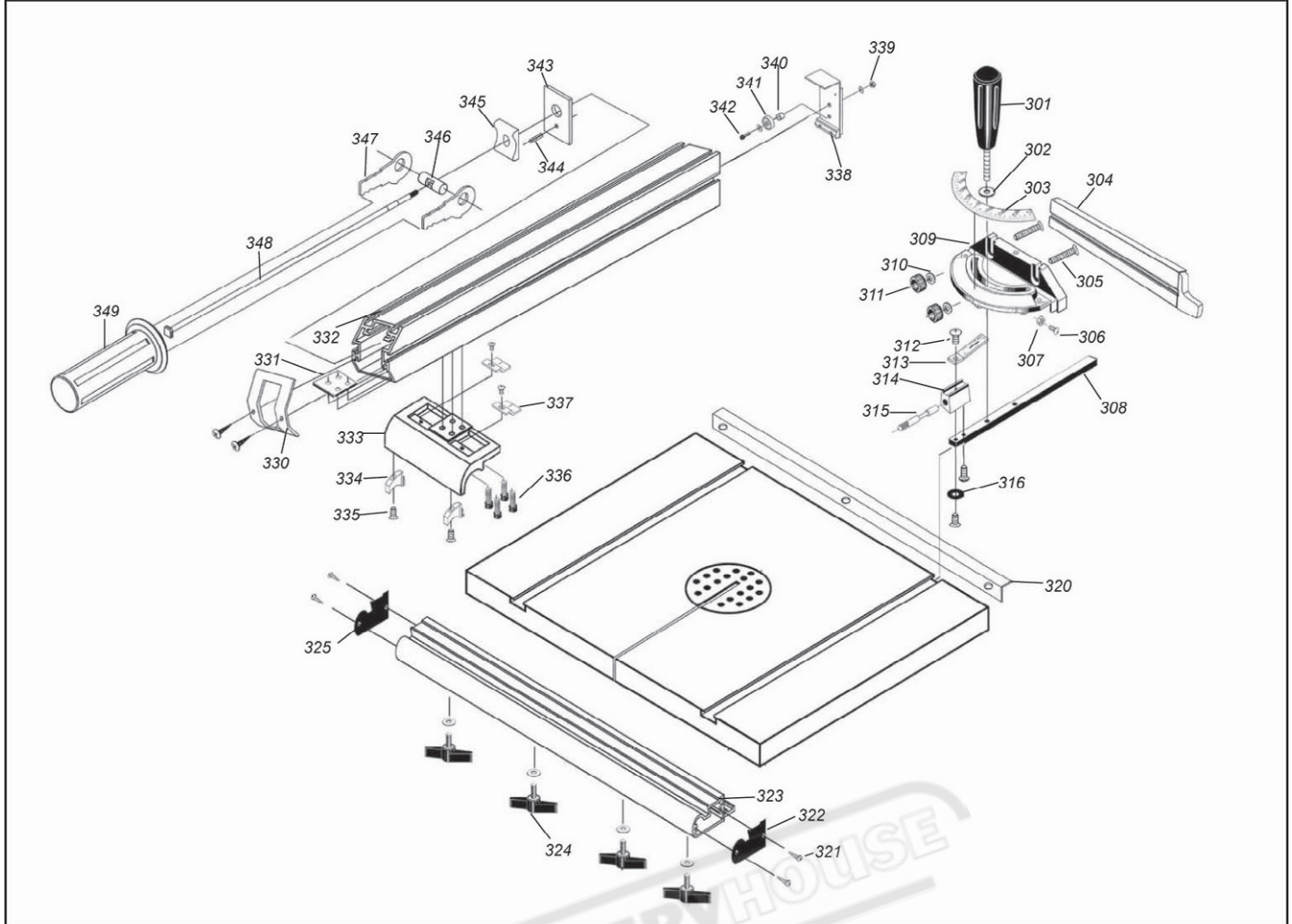




NO	DESCRIPTION	NO	DESCRIPTION
1	Allen bolt M6x20	46	Washer 5mm
2	Cam shaft	47	Sliding guard
3	Cam base	48	Safe guard, upper guide
4	Tyre	49	Bracket
5	Ring circle 20mm	50	Allen bolt M8x30
6	Bearing 80104	51	Washer 8mm
7	Ring circle 42mm	52	Bearing 80201
8	Upper wheel	53	Bush, bearing
9	Shaft, upper wheel	54	Nut, bearing
10	Screw set M6x10	55	Allen bolt M6x16
11	Mount, upper wheel	56	Guide base, upper guide
12	Indicator base	57	Saw blade
13	Pin roll 3x10	58	Lower wheel
14	Spring	59	Pulley drive
15	Spring seat	60	Belt "A"
16	Bearing, trust 8201	61	Dual thread screw
17	Hex screw M6x30	62	Shaft, lower wheel
18	Bracket, upper wheel	63	Bracket, lower wheel
19	Hex nut M6	64	Ring circle 12 mm
20	Thread, upper wheel	65	Washer 12mm
21	Hand wheel	66	Bearing 80101
22	Flat washer 6mm	67	Ring circle 28mm
23	Allen bolt M6x16	68	Tension pulley
24	Lever	69	Shaft, tension pulley
25	Screw set M6x12	70	Collar, tension rod
26	Mount, upper guide	71	Screw set M6x8
27	Thread tube	72	Thread , tension rod
28	Screw set M4x5	73	Allen bolt M5x30
29	Ring, worm	74	Handwheel, tension
30	Worm	75	Spacer
31	Insert, upper guide	76	Motor pulley
32	Gear, upper guide	77	Screw set m5x10
33	Thread, gear	78	Key flat
34	Allen bolt M5x10	79	Motor
35	Square tube, upper guide	80	Saw frame
36	Rack	81	Spring washer 12mm
37	Sunk head screw M5x10	82	Cap nut M12
38	Cover plate, upper guide	83	Bush, shaft lower wheel
39	Allen screw M8x16	84	Washer 16mm
40	Mount, upper guide	85	Hex nut M16
41	Shaft bearing, upper guide	86	Cross pan head screw M5x16
42	Flat washer 6mm	87	Pointer, mount
43	Hex screw M6x30	88	Hex nut M5
44	Brush	89	Hand wheel
45	Allen bolt M5x10	90	Cross pan head screw M6x10

<u>NO</u>	<u>DESCRIPTION</u>	<u>NO</u>	<u>DESCRIPTION</u>
91	Spring washer	107	Carriage bolt M8x80
92	Lock lever, wheel tilt	108	Rack, table trunnion
93	Lock, flower screw	109	Table trunnion, upper
94	Parallel pin	110	Allen bolt M10x30
95	Flat washer 8mm	111	Table trunnion, lower
96	Allen bolt M8x12	112	Flower screw, lower guide
97	Screw, indicator	113	Flower screw & shaft, lower guide
98	Indicator	114	Lock lever, table tilt
99	Lock cam	115	Guide base, lower guide
100	Lever, lock cam	116	Pointer, table tilt
101	Insert cut	117	Guide rod, bearing
102	Table	118	Guard left, lower guide
103	Hex nut M8	119	Guard right, lower guide
104	Hex screw M8x70	120	Lock nut M8
105	Tilt rack	121	Flower screw M8x50
106	Cross pan head screw M5x6		

<u>NO</u>	<u>DESCRIPTION</u>	<u>NO</u>	<u>DESCRIPTION</u>
201	Rivet	219	Clamp, cord
202	Cross pan head screw M4x10	220	Bush, cord
203	Washer 4 mm	221	Flat brush
204	Key, microswitch	222	Cross pan head screw M5x10
205	Hex nut M6	223	Pan head rivet 2x5
206	Washer 6mm	224	Cross pan head screw M4x6
207	Allen bolt M6x20	225	Grounding terminal
208	Door upper	226	Power switch
209	Hex nut M4	227	Cross pan head screw M4x12
210	Copper ring	228	Hex nut M10
211	View window	229	Washer 10mm
212	Door Middle	230	Ring, lift up
213	Cross pan head screw M5x12	231	Cross pan head screw M4x4
214	Washer 5mm	232	Strain relief
215	Hex nut M5	233	Door lock
216	Door lower	234	Allen bolt M6x22
217	Lock nut M6	235	Microswitch
218	Cross pan head screw M5x10	236	Suction connection



NO	DESCRIPTION	NO	DESCRIPTION
301	Mitre gauge knob	330	Front plat, fence
302	Washer 8mm	331	Insert, fence mount
303	Scale, gauge	332	Fence
304	Fence, gauge	333	Rip fence head
305	Carriage bolt M6x40	334	Plastic shoes
306	Pan head screw M4x8	335	Sunk head screw M4x10
307	Hex nut M4	336	Allen screw M6x8
308	Mitre gauge rod	337	View lens, rip fence
309	Mitre gauge base	338	Rear clamp
310	Washer 6mm	339	Lock nut M6
311	Thumbnut M6	340	Spacer
312	Pan head screw M5x10	341	Bearing 80016
313	Indicator, gauge	342	Allen screw M6x35
314	Block, indicator	343	Rear plate, rip fence
315	Stop pin	344	Pin roll 5x16
316	Roller, gauge	345	Rear block, rip fence
320	Rear rail, table	346	Lock eccentric rod
321	Taping screw ST4.0x12	347	Lock eccentric
322	Left end cap, front rail	348	Rip fence lock rod
323	Front rail, table	349	Rip fence handle
324	Wing screw		
325	Right end cap, front rail		